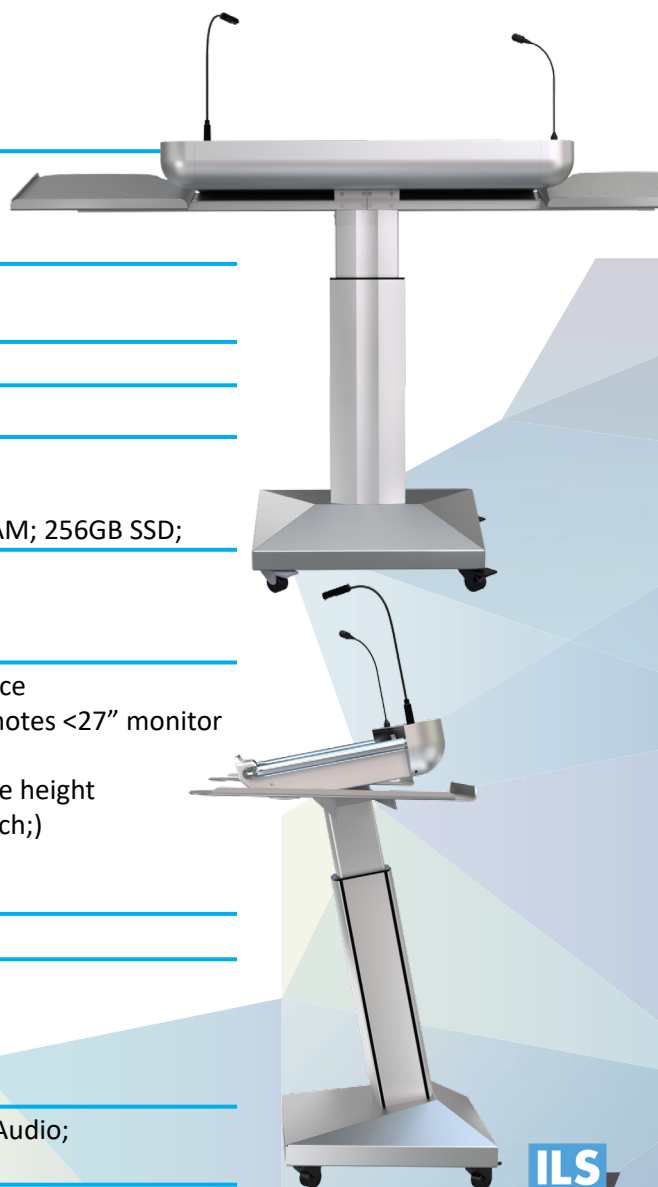


ILS prides itself to build the highest quality lecterns around from thick aluminum profiles, blocks and plates, machined to a perfect fit and style. The lecterns are virtually free of maintenance for decades. In ILS products it is possible to remove a damaged part and renew it, or to make new fittings for future upgrades without affecting the rest of the installed system.

**ILS Synergy QT** delivers ILS quality with a smart design. The solid top of the lectern is placed on a motorized narrow pillar with a height adjustment range up to 40 cm (15 "+). Two buttons will help you to control it. In the lowest position, a seated person can freely use the system.

Long version of the top is divided into two working areas. On the left is a monitor 24", mounted inside the working surface. On the right is a smooth aluminum surface for handwritten notes, a laptop or a control panel. A holder for the micro PC is installed inside the working surface. This lectern also provides two horizontal side tables moving up or down with the top. This makes it possible to use extra space for handwritten notes, a laptop, or place a document camera on it. The built-in switcher or four sockets with the type on request will be great helpers when handling connections between the main screen of the lectern and/or laptop, or other devices. To do this, there are four buttons on the top panel of the product. There is also two USB 3.0 sockets and a holder with built-in charging cables for tablets and smartphones. The microphone socket is of the XLR shock-mount type and there is the provision for a reading light, controlled by the button. Additionally, for greater convenience, a keyboard tray can be integrated.

For ease of movement and stability of the lectern during the presentation, four lockable smart castors are provided. In addition, we will be pleased to engrave your logo on the extra front panel of the lectern, in case of using the system in formal events!



**DIMENSIONS**

<b>Width</b>	<b>Top:</b> 1030 mm <b>Side Plate:</b> 395 mm x 555 mm <b>Top + Side Plate:</b> 1770 mm
<b>Height</b>	<b>User side: min:</b> 775 mm <b>max:</b> 1180 mm <b>Audience Side: min:</b> 870 mm <b>max:</b> 1275 mm
<b>Weight</b>	85 kg

**INTEGRATION**

<b>Display &amp; PC</b>	<b>Monitor:</b> 24" Dell 2418HT IPS; 10 points capacitive touchscreen (Up to 30") <b>PC:</b> Dell Optiplex 3070 micro Intel Core I-5 CPU; 8GB RAM; 256GB SSD;
<b>Accessories</b>	<b>Switcher:</b> ILS503 or 4 x sockets (type on request) <b>Audio:</b> 1 x Microphone AKG CGN 99 <b>Light:</b> 1 x LITTLITE LED BNC lamp
<b>Features</b>	ILS holder for micro PC installation inside working surface Extra space on the right from the display for laptop or notes <27" monitor Ultra Wide Phone/Tablet holder Height adjustment: Motorised Narrow Pillar 40cm range height 7 x Buttons (2 x Height control; 1 x Light; 4 x Signal switch;) 2 x Large side tables 4 x lockable smart castors or sideways rollers

**CONNECTIVITY**

<b>Top</b>	1 x 3-Pin XLR Shock Mount for microphone 1 x BNC Light socket (12V) 2 x USB 3.0 Sockets 3 x Charging cables (USB type-C; Lightning; micro USB;)
<b>Bottom</b>	1 x HDMI; 1 x PC LAN; 1 x XLR microphone; 1 x 3.5mm Audio; 1 x AC Power; 1 x HDbaseT; 1 x Switcher Control Cable;